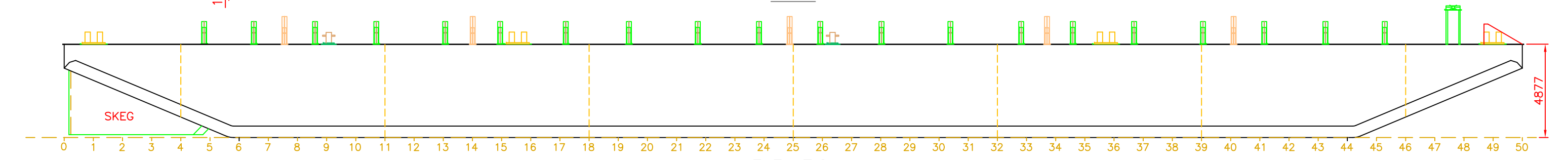
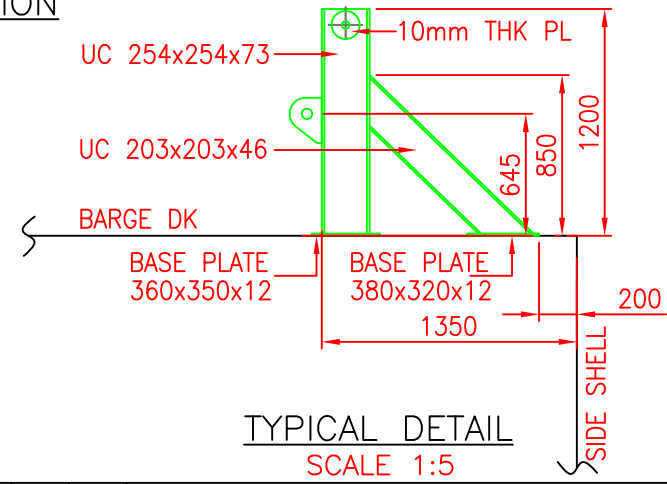


STARBOARD PLAN



ELEVATION



TYPICAL DETAIL  
SCALE 1:5

BARGE - VML-4	
<b>SPECIFICATIONS:-</b>	
TYPE	- DECK CARGO BARGE
CLASS	- ABS
LENGTH (O.A)	- 250 FT. (76.2 M)
BREADTH (MOULDED)	- 80 FT. (24.384 M)
DEPTH (MOULDED)	- 16 FT. (4.877 M)
DEAD WEIGHT	- 5400 Tons.
DRAFT	- 11.80 FT (3.60 M)
DECK LOADING	- 15 T/M <sup>2</sup>

**NOTES:**  
 1. ALL DIMENSIONS ARE IN MM. UNLESS OTHERWISE SPECIFIED.  
 2. REF. DWG. No. TS0901-H2 - CONSTRUCTION PLAN.

REV	DATE	DESCRIPTION	BY	CH'K	RV'D	AP'D
02	04/07/12	REVISED AS PER DWG. No. TS0901-H2	SUN	PKR	ZMT	KGS
01	19/09/11	ISSUED FOR INFORMATION.	SUN	PKR	ZMT	KGS
00	06/07/11	ISSUED FOR INFORMATION.	SUN	PKR	ZMT	KGS

SCALE: - SIZE: A3 DRAWN: SUN CHECKED: TKK

CLIENT: INTERNAL  
 PMC: INTERNAL

**VM GULF** VALENTINE MARITIME (GULF) L.L.C.  
 ABU-DHABI, U.A.E.

TITLE: DECK CARGO BARGE VML-4  
 GENERAL ARRANGEMENT

JOB No.	DRAWING No.	SHEET No.	REV.
-	VML4-BRG-GA-001	1 of 1	02