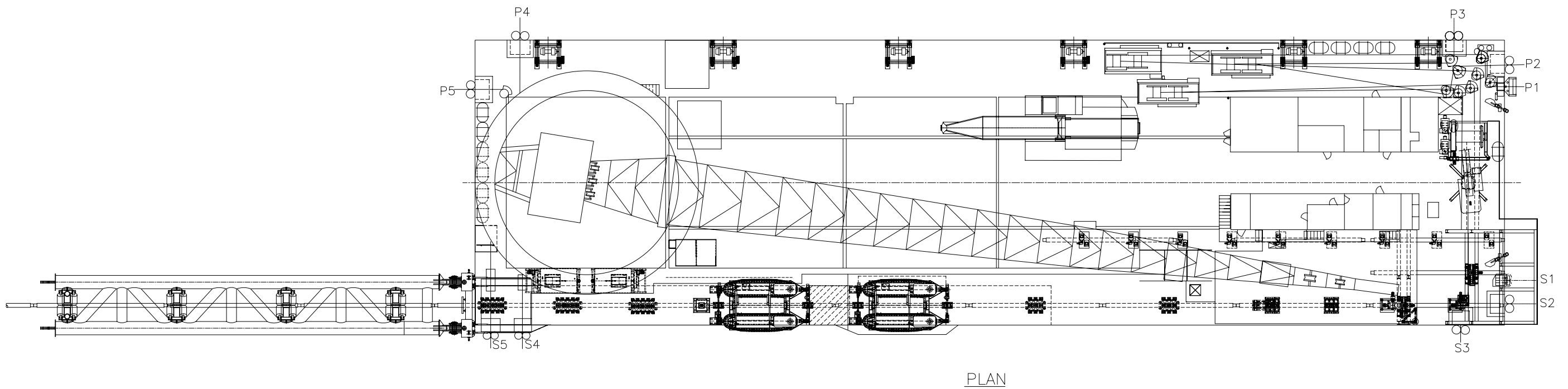
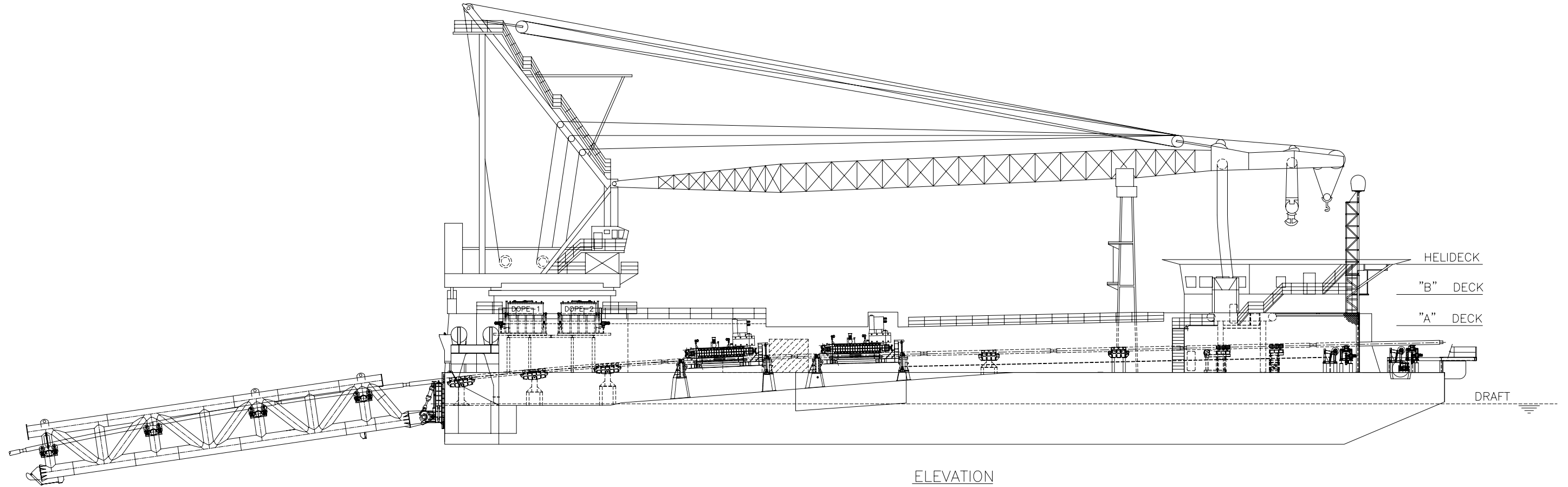


# REGINA-250



PRINCIPAL DIMENSIONS			
STINGER		BARGE	
SECTION-I	= 37.00 M	LENGTH	= 94.00 M
SECTION-II	= 31.00 M	WIDTH	= 26.00 M
		DEPTH	= 6.75 M
		DRAFT	= 3.83 M